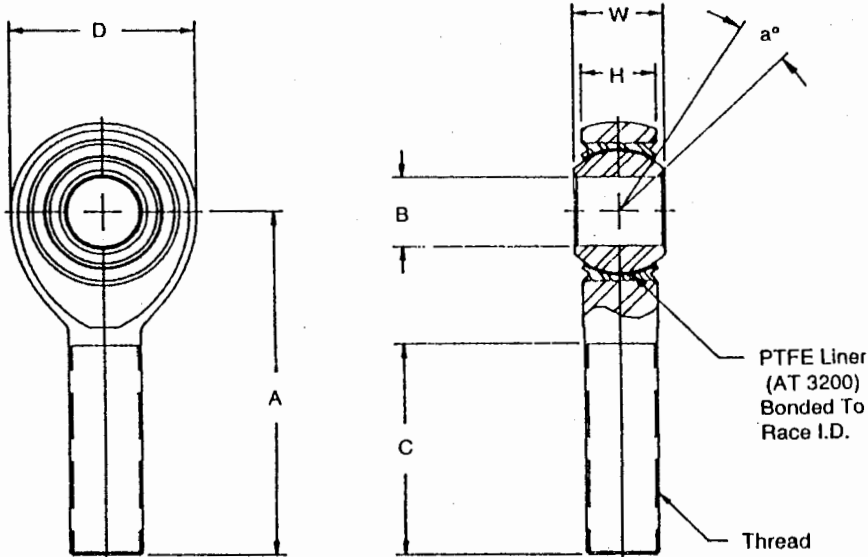


# HANDOUT 16 ROD END DATA

## PERFORMANCE RACING ROD ENDS PRM-T and PRXM-T Series Male Rod Ends — PTFE Lined



SPECIFICATIONS*	
<b>BODY</b> — 4340 steel, heat treated, protective coated for corrosion resistance.	
<b>BALL</b> — 52100 steel (AMS 7440) heat treated, hard chrome plated.	
<b>RACE</b> — Stainless steel (17-4 PH per AMS 5643) heat treated, PTFE lined.	
<b>PTFE LINER</b> — (AT 3200) Permanently Bonded to Race Inside Diameter. Qualified to MIL-B-81820.	

### PRM-T — Performance Racing Series

Rod End No.		DIMENSIONS IN INCHES								a° Misalign. Angle	Radial Static Load Capacity Lbs.	No Load Pivotal Breakaway Torque In-Lbs.
Right Hand	Left Hand	B +.0000 -.0005	W +.000 -.005	H ±.005	A ±.010	D +.010 -.010	Ball Dia. Ref.	C +.031 -.031	Thread UNJF-3A			
PRM-5T	PRB-5T	.3125	.437	.327	1.875	.900	.593	1.187	5/16-24	14	8,300	2 - 10
PRM-6T	PRB-6T	.3750	.500	.416	1.938	1.025	.687	1.187	3/8-24	8	10,946	2 - 10
PRM-7T	PRB-7T	.4375	.562	.452	2.125	1.150	.781	1.281	7/16-20	10	14,049	5 - 15
PRM-8T	PRB-8T	.5000	.625	.515	2.438	1.337	.875	1.468	1/2-20	9	23,310	5 - 15
PRM-10T	PRB-10T	.6250	.750	.577	2.625	1.525	1.062	1.562	5/8-18	12	25,909	5 - 15
PRM-12T	PRB-12T	.7500	.875	.640	2.875	1.775	1.250	1.687	3/4-16	13	34,319	5 - 15

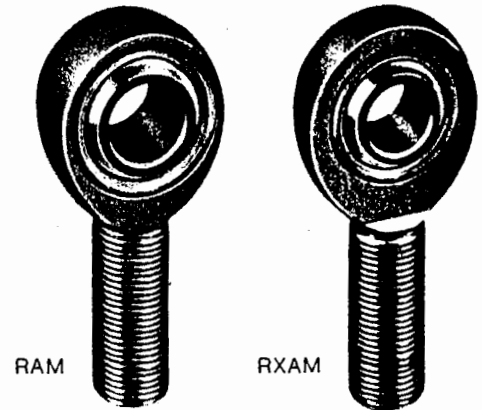
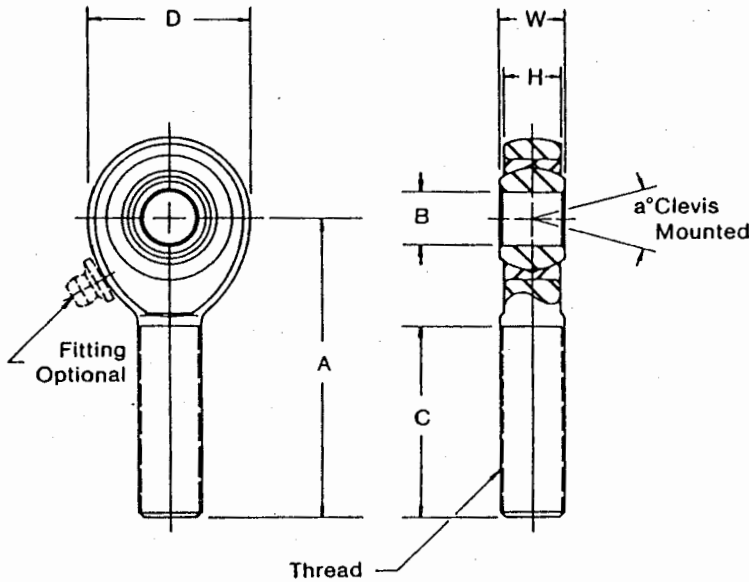
### PRXM-T — Performance Racing — Heavy Duty Shank Series

Rod End No.		DIMENSIONS IN INCHES								a° Misalign. Angle	Radial Static Load Capacity Lbs.	No Load Pivotal Breakaway Torque In-Lbs.
Right Hand	Left Hand	B +.0000 -.0005	W +.000 -.005	H ±.005	A ±.010	D +.010 -.010	Ball Dia. Ref.	C +.031 -.031	Thread UNJF-3A			
PRXM-5T	PRXB-5T	.3125	.437	.327	1.875	.900	.593	1.187	3/8-24	14	9,135	2 - 10
PRXM-6T	PRXB-6T	.3750	.500	.416	1.938	1.025	.687	1.187	7/16-20	8	10,946	2 - 10
PRXM-7T	PRXB-7T	.4375	.562	.452	2.125	1.150	.781	1.281	1/2-20	10	14,049	5 - 15
PRXM-8T	PRXB-8T	.5000	.625	.515	2.438	1.337	.875	1.468	5/8-18	9	23,310	5 - 15
PRXM-10T	PRXB-10T	.6250	.750	.577	2.625	1.525	1.062	1.562	3/4-16	12	25,909	5 - 15

\*Check for availability.



## RAM, RAB, RXAM, RXAB Series Male Rod Ends (PTFE Liners Available)



SPECIFICATIONS	
<b>BODY</b>	Steel alloy heat treated, bright nickel or chrome plate.
<b>RACE</b>	Steel alloy heat treated, bright nickel plated.
<b>BALL</b>	Alloy steel, heat treated, hard chrome plated.

### RAM — Heavy Duty

Rod End No.		DIMENSIONS IN INCHES									a° Misalign. Angle	Radial Static Load Capacity Lbs.	Approx. Brg. Wt. Lbs.
Right Hand	Left Hand	B + .0015 - .0005	W + .000 - .005	H ± .005	A ± .010	D ± .000 - .020	Ball Dia. Ref.	C + .062 - .031	Thread UNJF-3A				
RAM-3	RAB-3	.1900	.312	.250	1.250	.625	.437	.750	10-32*	13	2,851	.028	
RAM-4	RAB-4	.2500	.375	.281	1.562	.750	.500	1.000	1/4-28	16	5,260	.043	
RAM-5	RAB-5	.3125	.437	.344	1.875	.875	.625	1.187	5/16-24	14	7,125	.072	
RAM-6	RAB-6	.3750	.500	.406	1.938	1.000	.719	1.187	3/8-24	12	8,939	.112	
RAM-7	RAB-7	.4375	.562	.437	2.125	1.125	.812	1.312	7/16-20	14	9,653	.160	
RAM-8	RAB-8	.5000	.625	.500	2.438	1.312	.937	1.437	1/2-20	12	15,500	.249	
RAM-10	RAB-10	.6250	.750	.562	2.625	1.500	1.125	1.562	5/8-18	16	17,148	.382	
RAM-10-12	RAB-10-12	.6250	.875	.687	2.875	1.750	1.312	1.687	3/4-16	14	27,021	.602	
RAM-12	RAB-12	.7500	.875	.687	2.875	1.750	1.312	1.687	3/4-16	14	27,021	.602	

### RXAM — Extra Heavy Duty

Rod End No.		DIMENSIONS IN INCHES									a° Misalign. Angle	Radial Static Load Capacity Lbs.	Approx. Brg. Wt. Lbs.
Right Hand	Left Hand	B + .0015 - .0005	W + .000 - .005	H ± .005	A ± .010	D ± .000 - .020	Ball Dia. Ref.	C + .062 - .031	Thread UNJF-3A				
RXAM-3	RXAB-3	.1900	.312	.250	1.562	.750	.437	1.000	1/4-28	10	5,260	.043	
RXAM-4	RXAB-4	.2500	.375	.281	1.875	.875	.500	1.187	5/16-24	13	8,452	.072	
RXAM-5	RXAB-5	.3125	.437	.344	1.938	1.000	.625	1.187	3/8-24	12	12,978	.112	
RXAM-6	RXAB-6	.3750	.500	.406	2.125	1.125	.719	1.312	7/16-20	10	17,508	.160	
RXAM-7	RXAB-7	.4375	.562	.437	2.438	1.312	.812	1.437	1/2-20	12	22,760	.249	
RXAM-8	RXAB-8	.5000	.625	.500	2.625	1.500	.937	1.562	5/8-18	10	30,579	.382	
RXAM-10	RXAB-10	.6250	.750	.562	2.875	1.750	1.125	1.687	3/4-16	13	39,674	.602	

Load ratings apply only to rod ends without grease fittings. For load ratings with fittings, please consult our engineering department.

\*UNF-3A  
†Check for availability

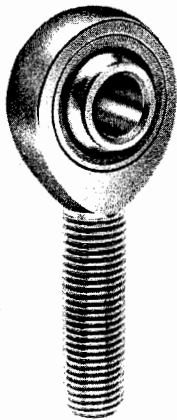
Units are supplied without grease fittings. When grease fittings are required, specify by adding suffix as designated.

Z Zerk type fitting Ex: RAM-6Z  
F Flush type fitting Ex: RAM-6F  
T PTFE liner Ex: RAM-6T



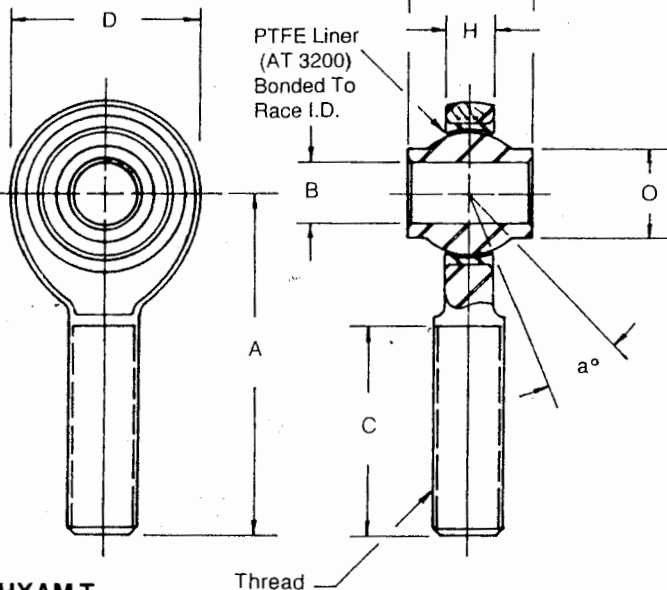
222

### High Misalignment Series Male Rod Ends & Spherical Bearings

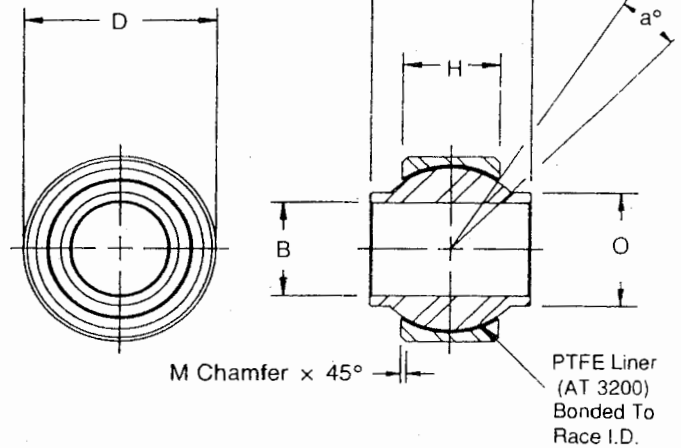


SPECIFICATIONS*	
<b>BODY</b>	— 4340 steel, heat treated, protective coated for corrosion resistance.
<b>BALL</b>	— 52100 steel (AMS 7440) heat treated, hard chrome plated.
<b>RACE</b>	— Steel Alloy heat treated, protective coated for corrosion resistance. PTFE Lined.
<b>PTFE LINER</b>	— (AT 3200) Permanently Bonded to Race Inside Diameter. Qualified to MIL-B-81820.

**HXAM-T**



**HAB-T**



**HXAM-T**

Rod End No.		DIMENSIONS IN INCHES										a° Misalign. Angle	Radial Static Load Capacity Lbs.	Approx. Bearing Weight Lbs.
Right Hand	Left Hand	B + .0000 - .0005	W + .000 - .005	H + .005 - .005	A + .010 - .010	D + .010 - .010	Ball Dia. Ref.	C + .031 - .031	Thread UNJF-3A	O Shoulder Dia.				
HXAM-4T*	HXAB-4T*	.2500	.593	.265	1.938	1.025	.593	1.187	3/8-24	.390	23	10,789	.12	
HXAM-6T*	HXAB-5T*	.3125	.813	.355	2.125	1.150	.781	1.281	7/16-20	.512	22	11,781	.16	
HXAM-6T	HXAB-6T	.3750	.813	.355	2.125	1.150	.781	1.281	7/16-20	.512	22	11,781	.15	
HXAM-7T	HXAB-7T	.4375	.875	.355	2.438	1.337	.875	1.468	1/2-20	.618	21	17,105	.24	
HXAM-8T	HXAB-8T	.5000	.937	.411	2.625	1.525	1.000	1.562	5/8-18	.730	19	23,720	.39	
HXAM-10T	HXAB-10T	.6250	1.200	.577	2.875	1.775	1.250	1.687	3/4-16	.856	19	32,067	.60	
HXAM-12T*	HXAB-12T*	.7500	1.280	.630	3.375	2.025	1.375	2.000	7/8-14	.970	18	38,660	.89	

**HAB-T — SPHERICAL BRGS —**

Bearing No.	DIMENSIONS IN INCHES								a°	Static Limit Load	Approx. Bearing Weight Lbs.
	B + .0000 - .0005	D + .0000 - .0005	W + .000 - .005	H ± .005	M REF.	O REF.	Ball Diameter Ref.	Radial Lbs.			
HAB-4T*	.2500	.7400	.593	.255	.020	.390	.593	24	7,560	.036	
HAB-5T*	.3125	.9060	.813	.345	.030	.512	.781	23	16,975	.068	
HAB-6T	.3750	.9060	.813	.345	.030	.512	.781	23	16,975	.068	
HAB-7T	.4375	1.0000	.875	.345	.030	.618	.875	22	19,018	.095	
HAB-8T	.5000	1.1250	.937	.401	.030	.730	1.000	20	25,263	.160	
HAB-10T	.6250	1.3750	1.200	.567	.030	.856	1.250	20	44,651	.245	
HAB-12T*	.7500	1.5625	1.280	.620	.035	.970	1.375	18	53,707	.315	

\*Check for availability.