

SHIMANO

SHIMANO EUROPA

Industrieweg 24 NL-8071 CT Nunspeet, Holland
Phone 31-3412-72222

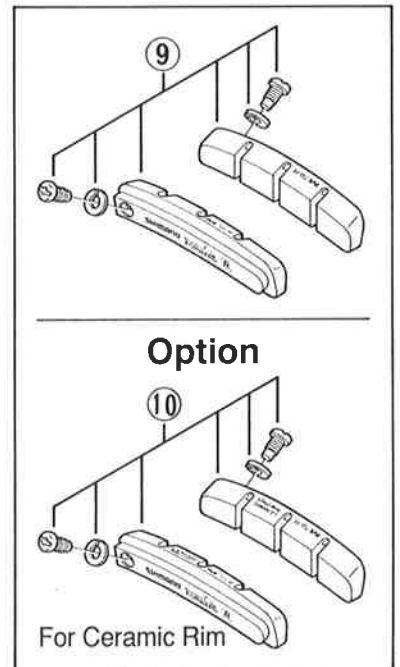
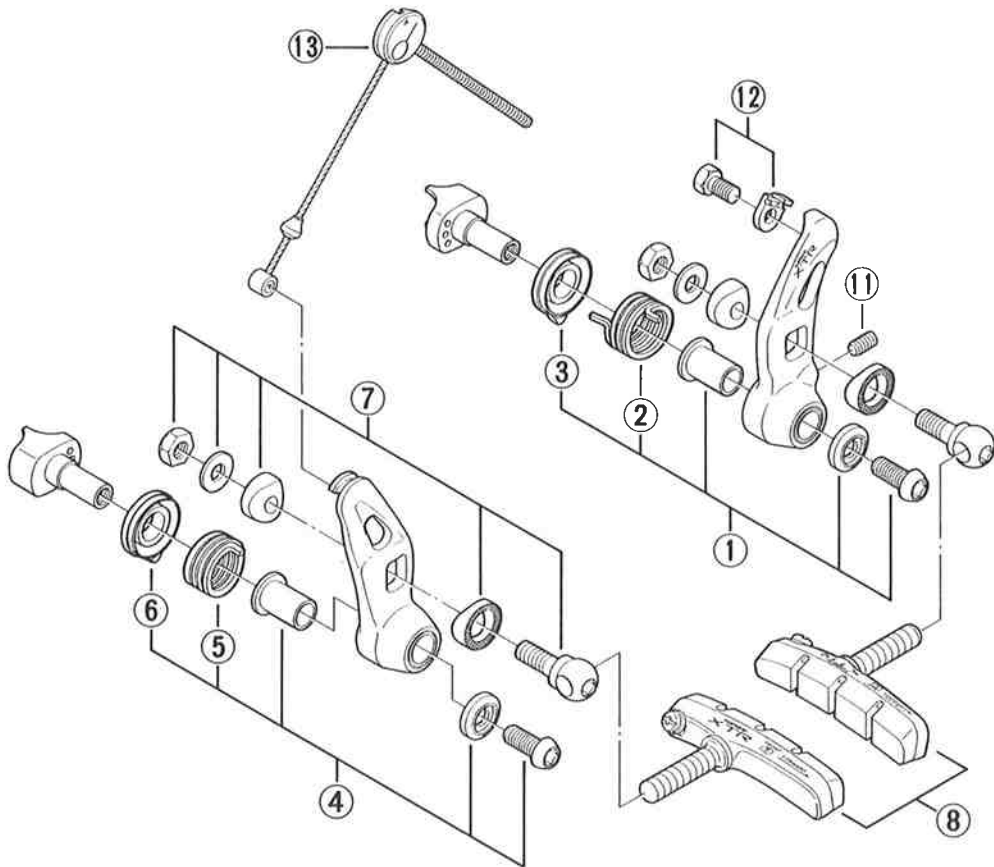
SHIMANO AMERICAN CORPORATION

One Shimano Drive, P.O. Box 19615, Irvine,
California U.S.A. 92713-9615 Phone 714-951-5003

Small parts list for after market.

- You may photocopy this sheet and use it as an order form.
- Sie können dieses Blatt kopieren und als Bestellformular verwenden.
- Vous pouvez photocopier cette feuille et l'utiliser comme bon de commande.
- Dit blad kan gecopieerd en als bestelformulier gebruikt worden.
- Potete fotocopiare questo foglio e usarlo come modulo di commissione.

SHIMANO XTR Cantilever Brake BR-M900-c



	Q'TY	ITEM NO.	PART NO.	DESCRIPTION	WEIGHT / PACK (g)	Q'TY / PACK
		1	83P 9811	Anchor Link Fixing Bolt Unit (M6 × 14.6)	152	10
		2	83P 0600	Spring (White) for A.L.	40	10
		3	83P 0800	Spring Cover for A.L.	14	10
		4	83P 9812	Hooking Link Fixing Bolt Unit (M6 × 14.6)	152	10
		5	83P 0700	Spring (Yellow) for H.L.	40	10
		6	83P 0900	Spring Cover for H.L.	14	10
		7	83P 9805	Shoe Fixing Bolt Unit	176	10
		8	83P 9810	M70/R Cartridge-Type Brake Shoe Set (4 pcs.)	130	1
		9	83X 9802	M70/R Cartridge-Type Brake Shoes & Fixing Screws (2 pairs)	66	1
		* 10	83X 9807	M70/R Cartridge-Type Brake Shoes & Fixing Screws (2 pairs) for Ceramic Rim	66	1
		11	83A 1900	Screw for Spring Adjustment	8	10
		12	83P 9802	Cable Fixing Bolt (M5 × 9) & Plate	42	10
		13	83P 9200	Y-Type Special Unit Link (A)	108	10