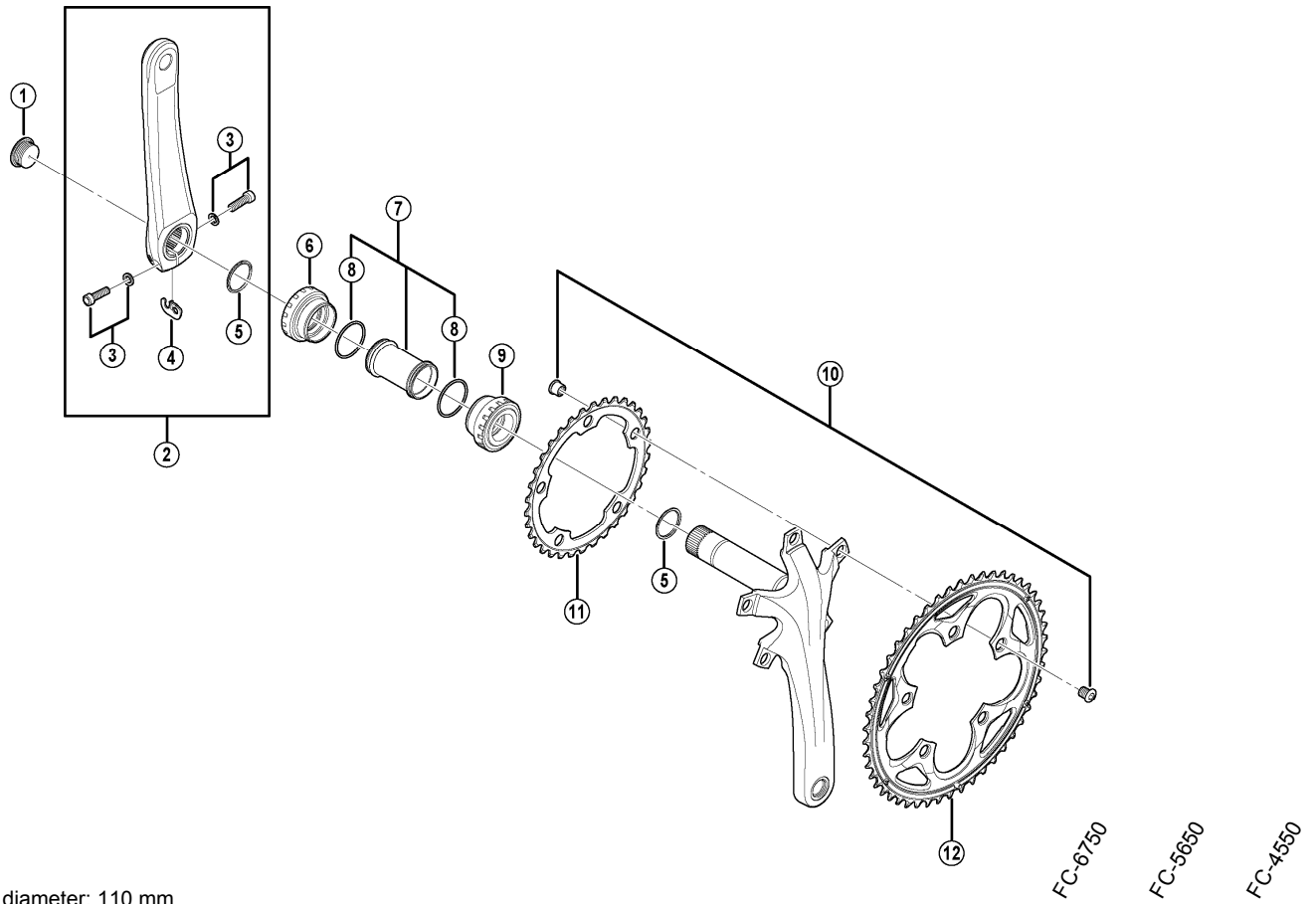


SHIMANO 105 Front Chainwheel

FC-5750-S Silver Version

FC-5750-L Black Version



● Bolt circle diameter: 110 mm

ITEM NO.	SHIMANO CODE NO.	DESCRIPTION	INTERCHANGEABILITY		
1	Y1KS13000	Crank Arm Fixing Bolt	A		
2	Y1M398010	Left Hand Crank Arm 165 mm (Silver) for FC-5750-S	B		
	Y1M398050	Left Hand Crank Arm 165 mm (Black) for FC-5750-L	B		
	Y1M398020	Left Hand Crank Arm 170 mm (Silver) for FC-5750-S	B		
	Y1M398060	Left Hand Crank Arm 170 mm (Black) for FC-5750-L	B		
	Y1M398030	Left Hand Crank Arm 172.5 mm (Silver) for FC-5750-S	B		
	Y1M398070	Left Hand Crank Arm 172.5 mm (Black) for FC-5750-L	B		
	Y1M398040	Left Hand Crank Arm 175 mm (Silver) for FC-5750-S	B		
	Y1M398080	Left Hand Crank Arm 175 mm (Black) for FC-5750-L	B		
3	Y1KS98030	Clamp Bolt (M6 x 19) & Washer			A
4	Y1GE98050	Plate	A	A	A
5	Y1F316000	Ring	A	A	A
6	Y1M398090	Left Hand Adapter (B.C.1.37" x 24T) English Thread	B	B	B
	Y1M398100	Left Hand Adapter (M36 x 24T) Italian Thread	B	B	B
7	Y1G398150	Inner Cover & O-Ring	A	A	A
8	Y1TF21000	O-Ring	A	A	A
9	Y1M398110	Right Hand Adapter (B.C.1.37" x 24T) English Thread	B	B	B
	Y1M398120	Right Hand Adapter (M36 x 24T) Italian Thread	B	B	B
10	Y1M398170	Gear Fixing Bolt (TORX ^{®**} / M8 x 8.5) & Nut (5 sets)		B	B
11	Y1M534000	Chainring 34T (Silver) for FC-5750-S	B	B	B
	Y1M534010	Chainring 34T (Black) for FC-5750-L	B	B	B
12	Y1M598010	Chainring 50T-F (Silver) for FC-5750-S	B		
	Y1M598020	Chainring 50T-F (Black) for FC-5750-L	B		

A: Same parts.

B: Parts are usable, but differ in materials, appearance, finish, size, etc.

Absence of mark indicates non-interchangeability.

Feb.-2010-3005

© Shimano Inc. A

** TORX is a registered trademark of Camcar LLC.

Specifications are subject to change without notice.

SHIMANO